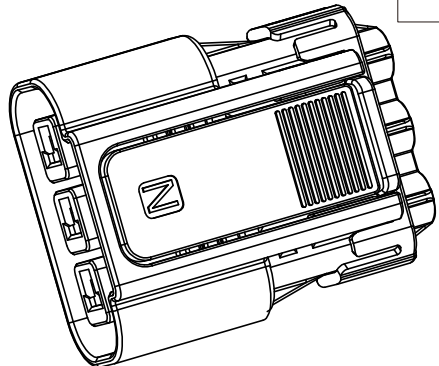
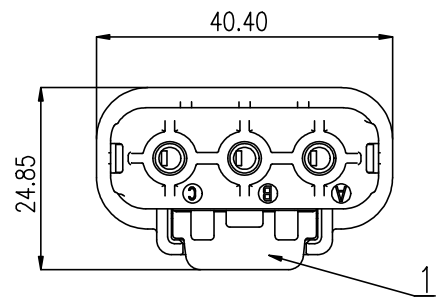
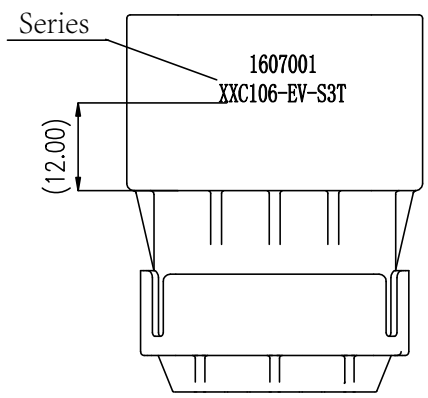
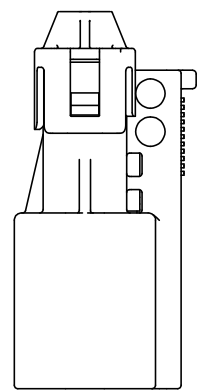
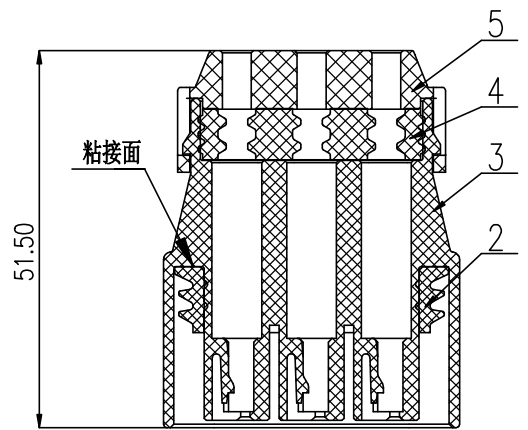


ECN NO.	REV	DATE	DESCRIPTION	MDF'D	APP'D
	A0	2022.6.10	Initial version	ZsH	Qilin
	A1	2023.9.23	Initial version	ZsH	Qilin

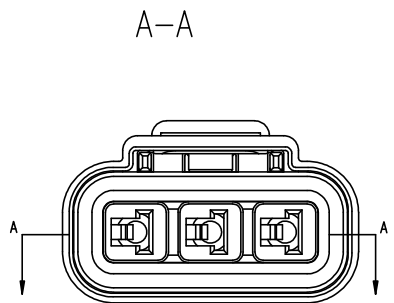


Series	PN	Backup		color	3 Core Plug shell insulators	wiring terminal	Plug Enclosure	Plug end caps	
XXC106-EV-S3T	A1-XXC105P009	3core socket 2.5mm ² unshielded wire	2.5mm	orange	XX106-01-00-04	XX106-01-00-05	XXC106-01-00-02C	XX106-01-00-08	
	A1-XXC105P010	3core socket 4mm ² unshielded wire	4mm						
	A1-XXC105P011	3core socket 6mm ² unshielded wire	6mm				XX106-01-00-06	XXC106-01-00-02A	XX106-01-00-01
	△	04-HV03N2-B06-P05	3core socket 6mm ² unshielded wire	6mm	black	XX106-01-0B-04			
04-HV03N2-B04-P05		3core socket 4mm ² unshielded wire	4mm				XXC106-01-00-02C		
XXC106-EV-S3T	A1-XXC105P020	3core socket 2.5mm ² unshielded wire	2.5mm	orange	XX106-01-00-04	-	XXC106-01-00-02C	XX106-01-00-08	
	A1-XXC105P021	3core socket 4mm ² unshielded wire	4mm						XX106-01-00-01
	A1-XXC105P022	3core socket 6mm ² unshielded wire	6mm					XXC106-01-00-02A	



- Material: Contact: Copper alloy, silver plating
Housing: PA66+25GF
Insulating plastic: nylon, flame retardant grade: UL94 V-0
- Rated voltage: Power 630V AC/DC
Signal 5~24V AC/DC
- Rated current: 20A (2.5mm² Cable)
25A (4mm² Cable)
40A (6mm² Cable)
- Withstand voltage: 3000V AC
- Insulation resistance: >2000M Ω (normal state)
- Working temperature: - 40 C ~ +125 C
- Mechanical life: ≥ 500 times
- Waterproof grade: IP67 (matching state)
- Product meets environmental RoHS requirements
- With or without high-voltage interlock (Optional)
- Insertion force ≤ 50N, Pullout force ≤ 50N

6	see list	wiring terminal	3 PCS
5	see list	Plug end caps	1 PCS
4	see list	Plug Enclosure	1 PCS
3	see list	3 Core Plug shell insulators	1 PCS
2	XX106-01-00-03	3 Core Ring	1 PCS
1	XX106-01-00-07	Lock	1 PCS
No	PN	Name	quantity



General Tolerance	Angle Tolerance
X ±0.5	±1° Unless otherwise specified, dimensions are in metric and tolerances are
.X ±0.2	
.XX ±0.1	
MATL: SEE-NOTES	
CUSTOMER-DRAWING	

POWER DYNAMICS INC.
145 Algonquin Parkway, Whippany, NJ 07981
Phone: 1-973-560-0019 e-mail: sales@powerdynamics.com www.powerdynamics.com

DESIGNER	ZsH	TITLE:	XX106 High Voltage Plastic Connector
CHECKED	ZsH	PARTS NO:	XXC106-EV-S3T
APPROVAL	Qilin		(UNIT): mm (SCALE): 1:1 (SHT): 1/1